

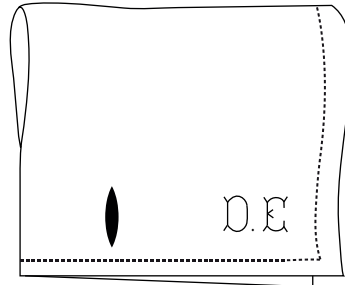


BY APPOINTMENT TO  
HER MAJESTY THE QUEEN  
HAND & LOCK  
EMBROIDERERS AND SUPPLIERS  
OF MILITARY ACCOUTREMENTS

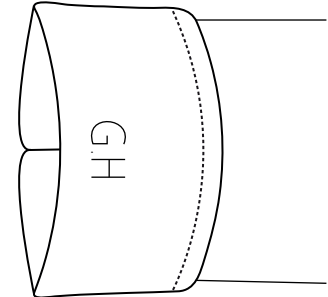
# Traditional Monogram Shirt Placements

Traditionally, monograms are placed on the cuff and front of the shirt. See our guide to help choose your preferred placement.

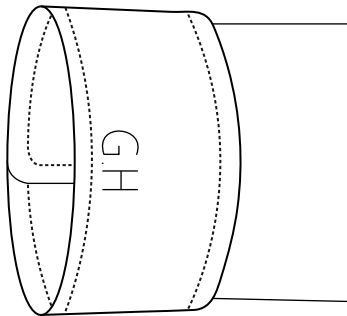
Pos. 1



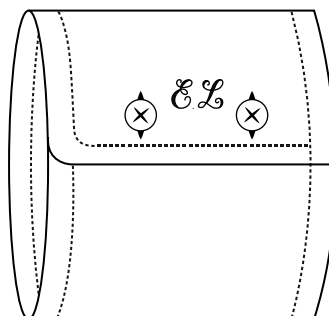
Pos. 2



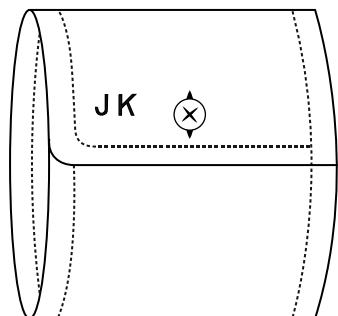
Pos. 3



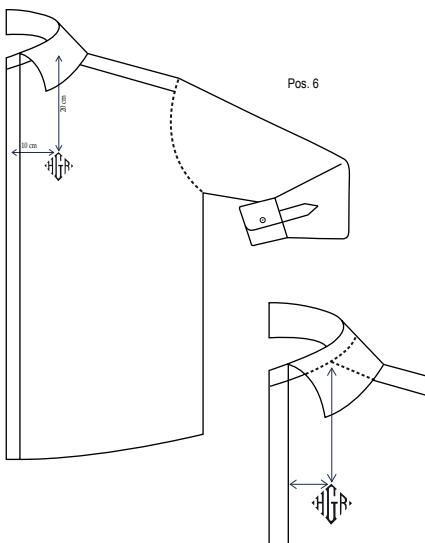
Pos. 4



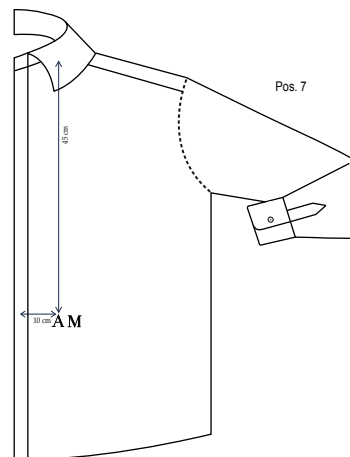
Pos. 5



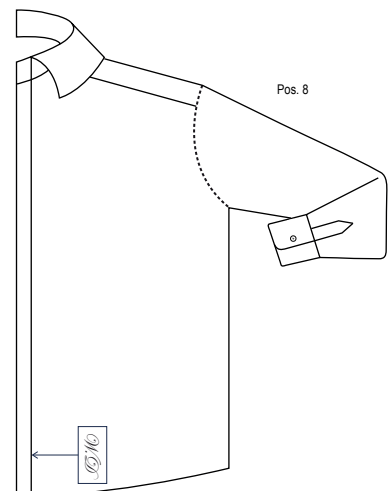
Pos. 6



Pos. 7



Pos. 8



For advise on placement on other garments or accessories please contact our team for help